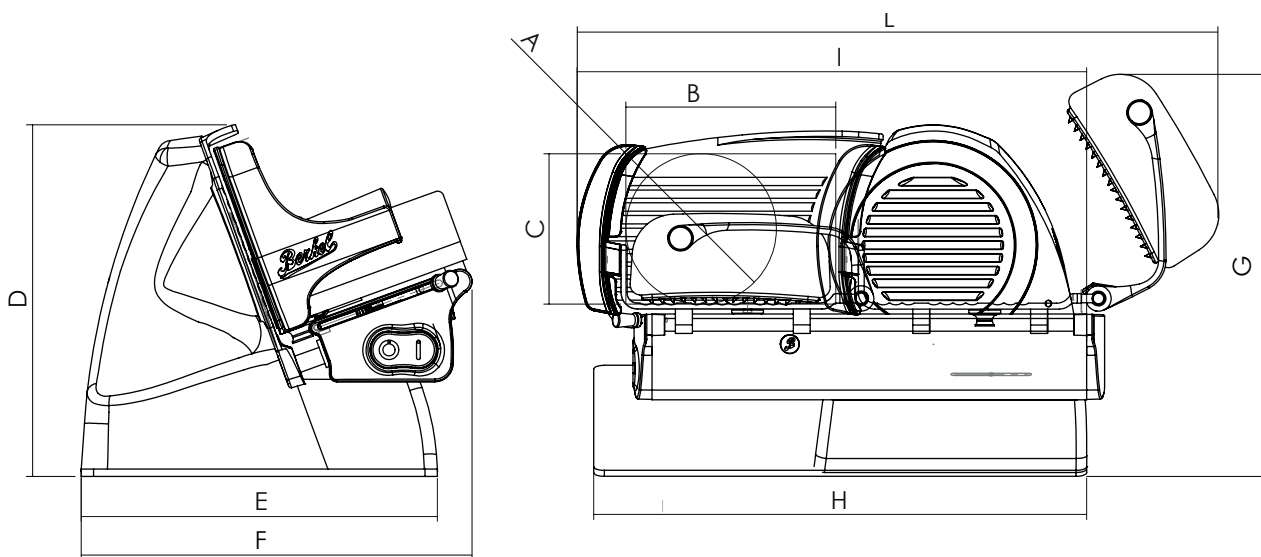




DATA SHEET

HOME LINE 200-250



	SPECIFICATIONS		DIMENSIONS	
	200	250	200	250
∅ Blade	8 in	10 in	A 5,5 in	A 7 in
Max slice thickness	0 - 0,8 in	0 - 0,8 in	B 8 in	B 8 in
Circular cutting capacity	5,5 in	7 in	C 5,5 in	C 7 in
Ractangular cutting capacity	8x5,5 in	8x7 in	D 11,2 in	D 12,4 in
Weight	27,5 lbs	32 lbs	E 11,4 in	E 11,4 in
Motor rating	0,25 Hp	0,25 Hp	F 12,5 in	F 13,4 in
Electrical specifications	50Hz - 230V	50Hz - 230V	G 12,8 in	G 13,9 in
			H 17,1 in	H 17,7 in
			I 18,5 in	I 21,7 in
			L 25,2 in	L 26 in

Note: As we actually strive to improve our products, specifications are necessarily subject to change without notice