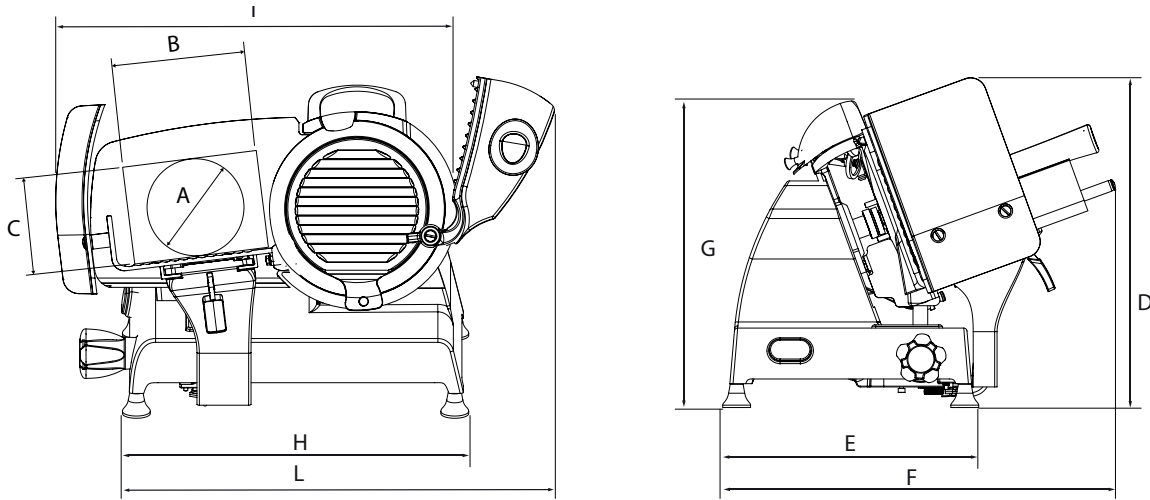


DATA SHEET

RED LINE 220-250-300



	SPECIFICATIONS			DIMENSIONS		
	220	250	300	220	250	300
∅ Blade	8,7 in	9,8 in	11,8 in	A 6,6 in	A 7 in	A 9 in
Max slice thickness	0 - 0,55 in	0 - 0,55 in	0 - 0,47 in	B 7,3 in	B 7,3 in	B 9,6 in
				C 6,3 in	C 6,9 in	C 8,8 in
Circular cutting capacity	6,6 in	7 in	9 in	D 15,5 in	D 15,5 in	D 18,9 in
				E 12,6 in	E 12,6 in	E 15 in
Ractangular cutting capacity	7,3x6,3 in	7,3x6,9 in	9,6x8,85 in	F 19,9 in	F 19,9 in	F 18,7 in
				G 15,3 in	G 15,3 in	G 16,9 in
Weight	48,5 lbs	48,5 lbs	59,5 lbs	H 17,1 in	H 17,1 in	H 19,1 in
				I 19,3 in	I 20,7 in	I 25 in
Motor rating	0,26 Hp	0,26 Hp	0,42 Hp	L 22,8 in	L 22,4 in	L 24,8 in
Electrical specifications	60Hz - 115V					

Note: As we actually strive to improve our products, specifications are necessarily subject to change without notice