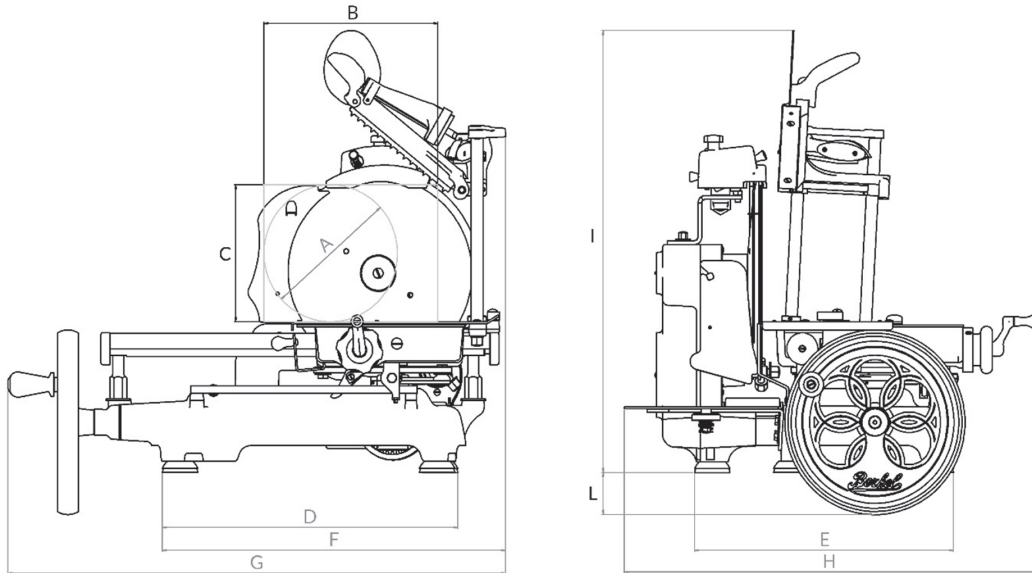


## DATA SHEET

### VOLANO B3



SPECIFICATIONS		DIMENSIONS		
Ø Blade	12 in	A	8,4 in	
		B	11 in	
Max slice thickness	0 - 0,06 in	C	8,4 in	
		D	18,1 in	
Circular cutting capacity	8 in	E	15,9 in	
		F	21,6 in	
Ractangular cutting capacity	11x9 in	G	32,5 in	
		H	26,4 in	
Weight	100 lbs	I	27,5 in	
		L	2,5 in	
OPTIONS				
Stand	22,8x22,8x32h -100 lbs			
SHIPPING SPECIFICATIONS (packaging dimension)				
Model	Lenght	Depth	Height	Weight
B3	33,8 in	31 in	26 in	143,5 lbs
Stand	27,5 in	28,7 in	39,4 in	167,5 lbs

Note: As we actually strive to improve our products, specifications are necessarily subject to change without notice