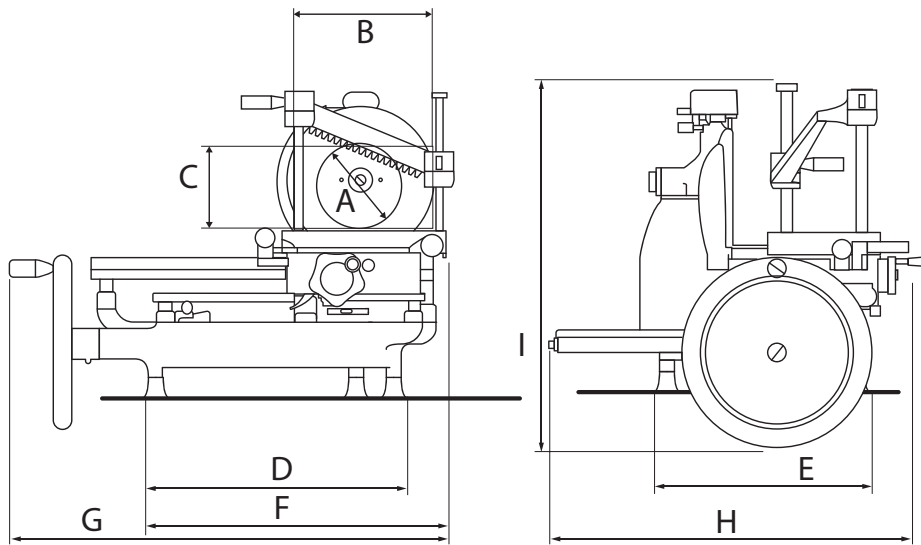


DATA SHEET

VOLANO P15



SPECIFICATIONS		DIMENSIONS		
∅ Blade	11 in	A	7,1 in	
Max slice thickness	0 - 0,1 in	B	8,2 in	
Circular cutting capacity	7 in	C	7,1 in	
Ractangular cutting capacity	8,5x7 in	D	19,9 in	
Weight	130 lb	E	9,8 in	
		F	19,9 in	
OPTIONS		G	28,3 in	
		H	23,6 in	
Stand	21,6x23x32h - 140 lb	I	22,4 in	
SHIPPING SPECIFICATIONS (packaging dimension)				
Model	Lenght	Depth	Height	Weight
P15	31,5 in	26,8 in	32,3 in	154.3 lb
Stand	27,5 in	28,7 in	39,4 in	167,5 lb

Note: As we actually strive to improve our products, specifications are necessarily subject to change without notice